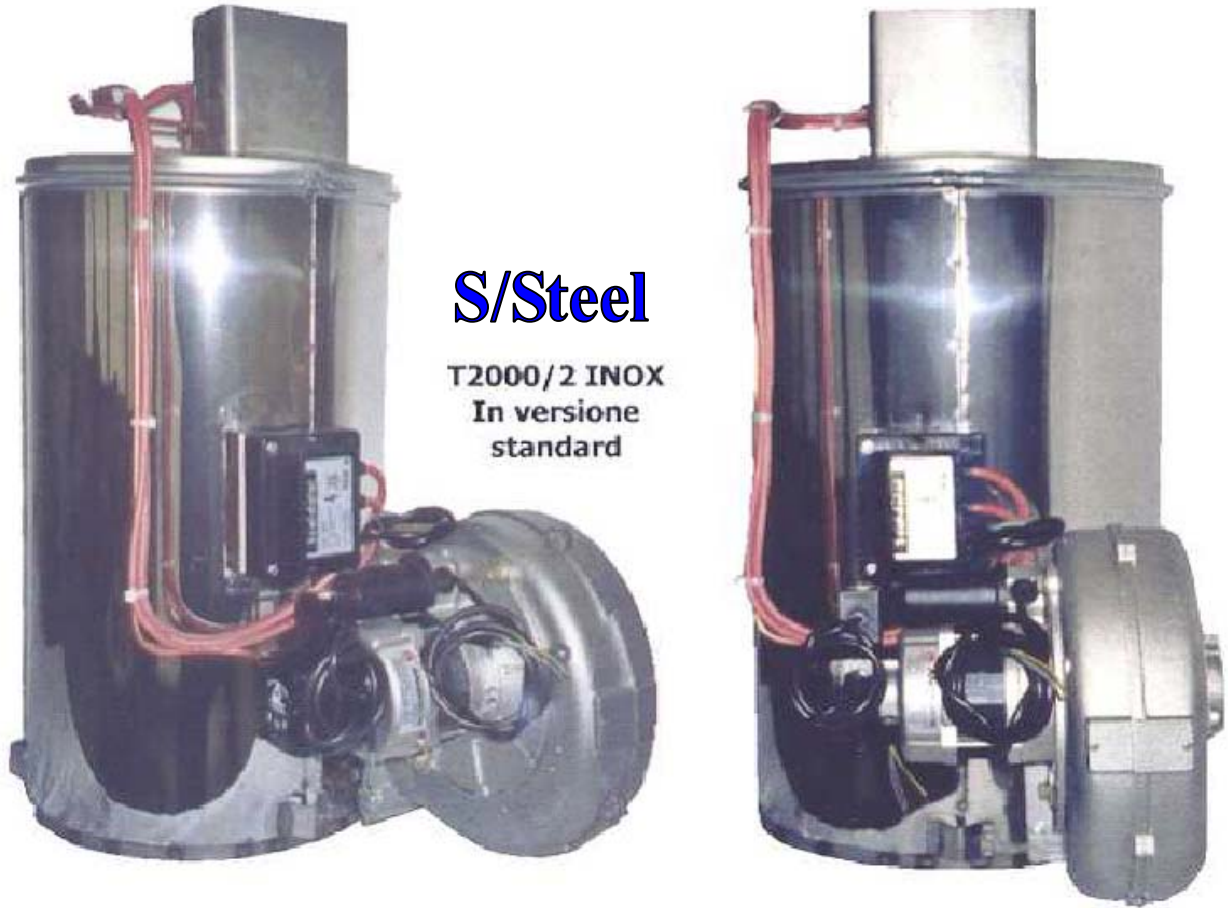




S/STEEL and PAINTED STEEL “BOILERS” FOR HIGH PRESSURE CLEANERS



S/Steel

**T2000/2 INOX
In versione
standard**

Mod.	structure	flow rate	oil consumption	therm.power	nozzle	pressure	efficiency	
T2000/1 SS	“A”	usgpm 3.42 max	Kg./h 4.56	46500	1.20	3250 psi	89 %	
T2000/1 ST	“B”	usgpm 3.42 max	Kg./h 4.56	46500	1.20	3250 psi	89 %	
T2000/2 SS	“A”	usgpm 4.80 max	Kg./h 5.70	58000	1.50	3250 psi	90 %	
T2000/2 ST	“B”	usgpm 4.80 max	Kg./h 5.70	58000	1.50	3250 psi	90 %	
T2000/3 SS	“A”	usgpm 5.53 max	Kg./h 7.60	77500	2.00	3250 psi	91 %	
T2000/3 ST	“B”	usgpm 5.53 max	Kg./h 7.60	77500	2.00	3250 psi	91 %	

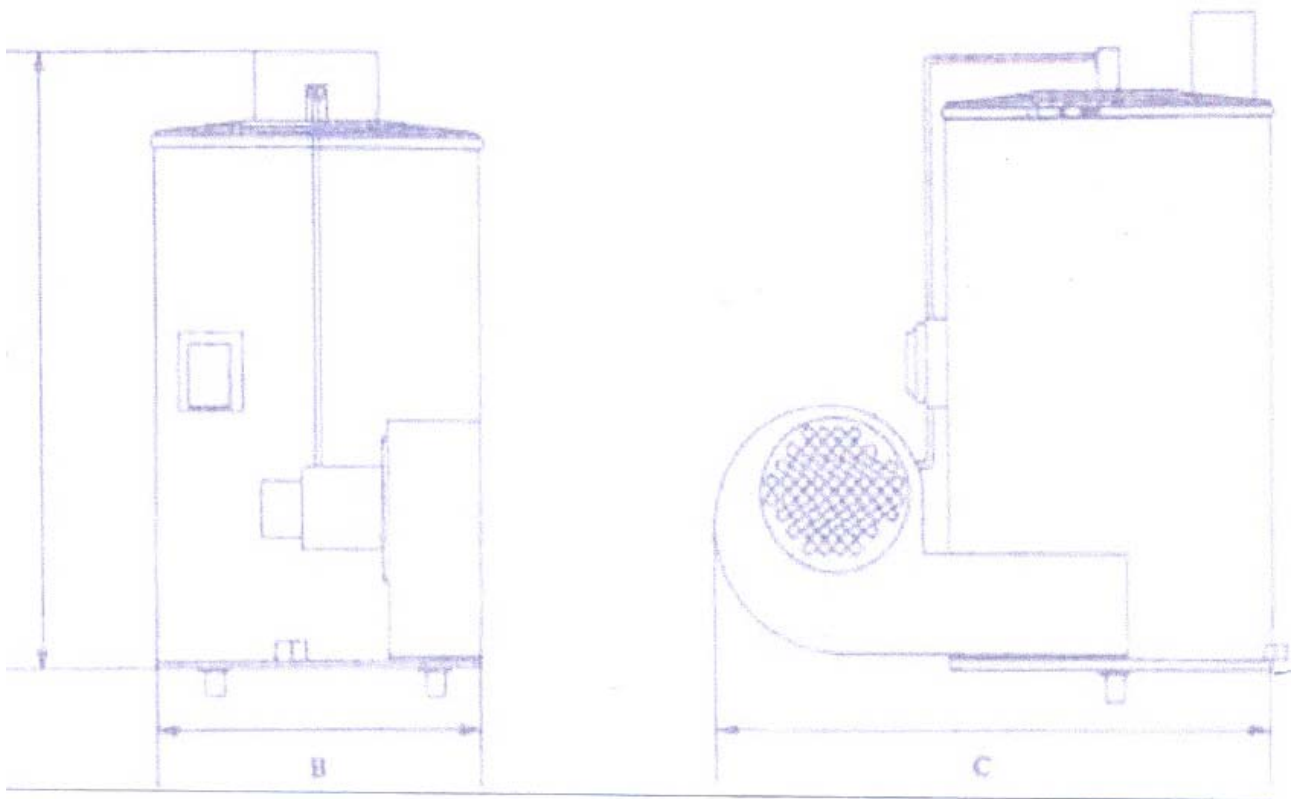
“A” = Structure made in s/steel

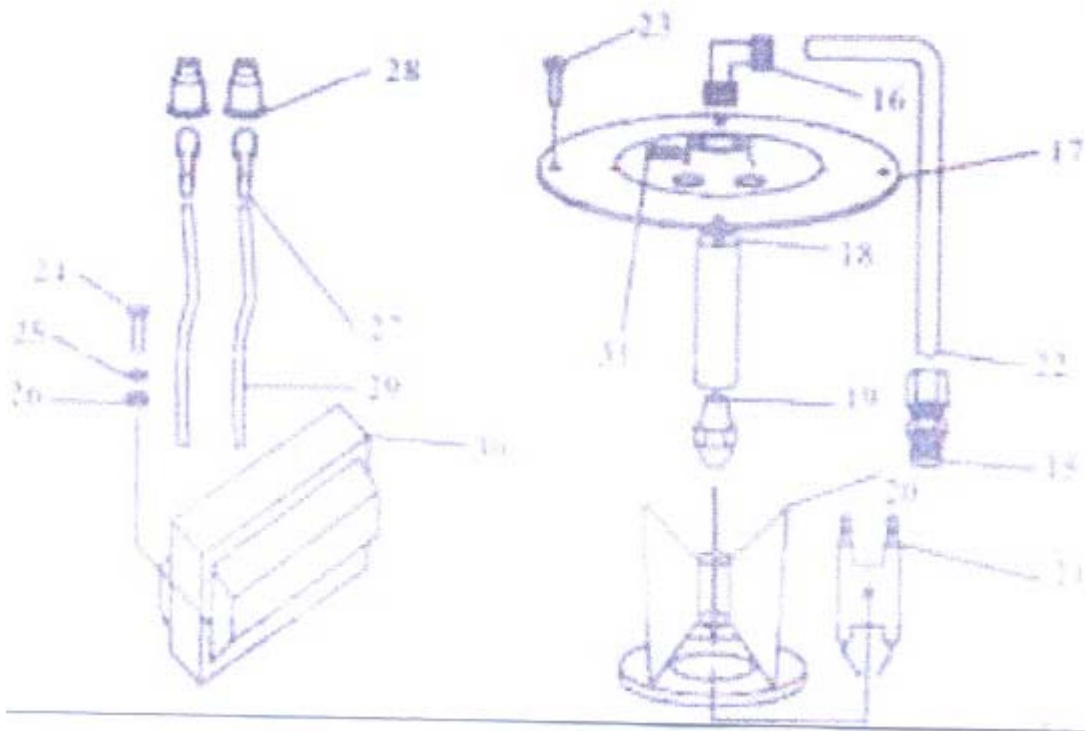
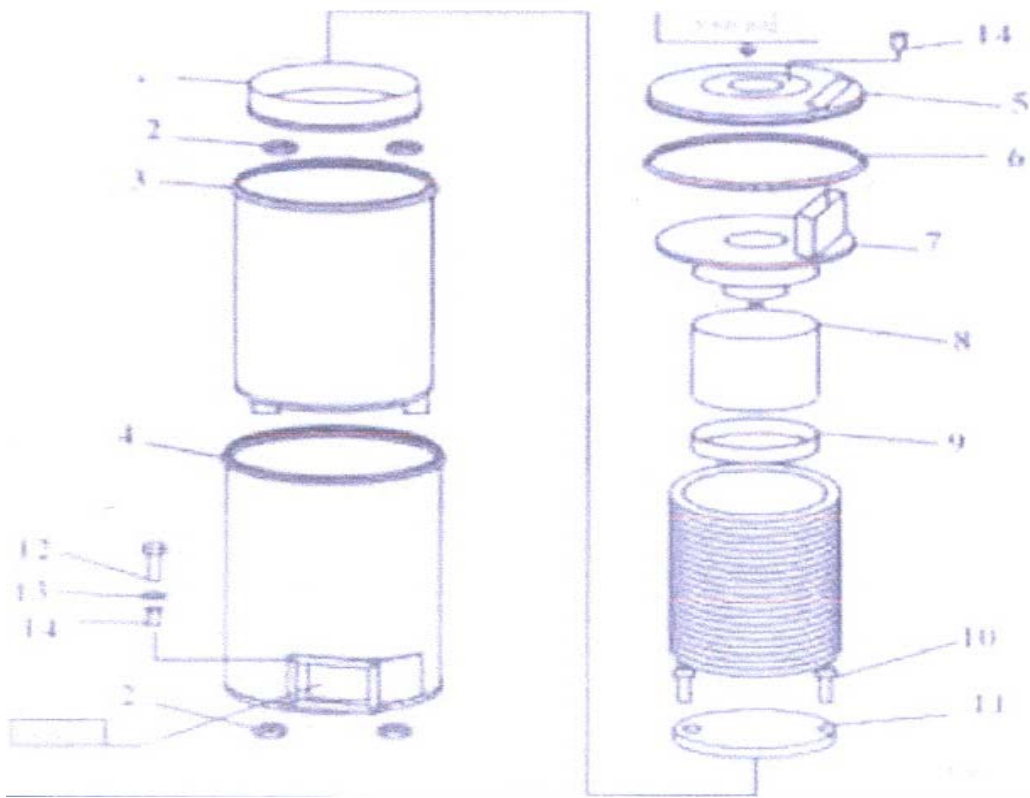
“B” = Structure made in painted steel

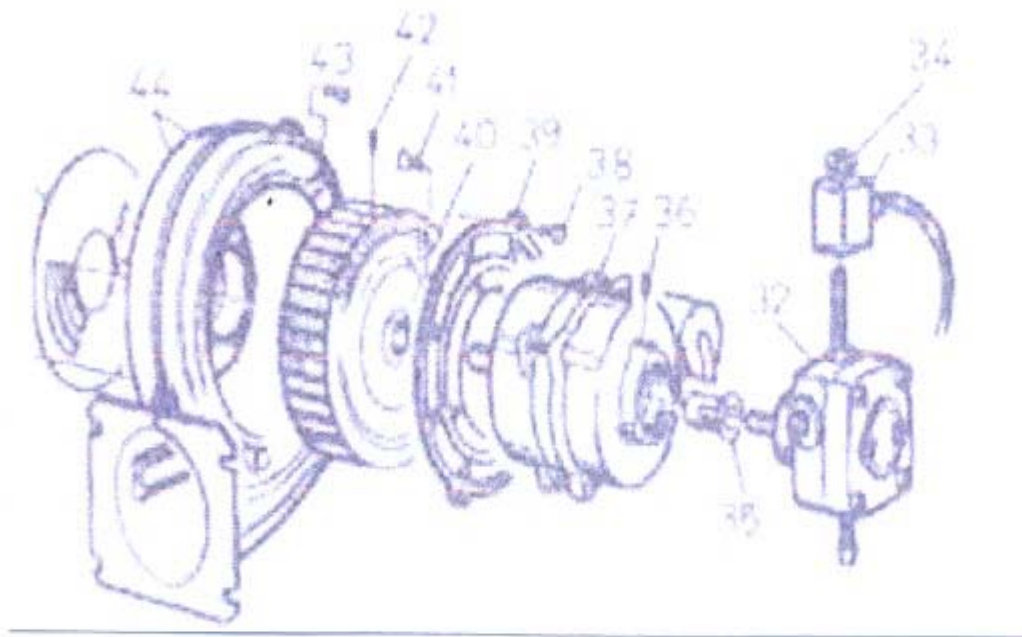
**** Optionals : AISI 304 S/STEEL COIL
HIGH PRESS. COIL**

**for Industrial Food
for Operating Pressure of 5800 PSI max.**

Mod.	Dimension "A" mm	Dimension "B" mm	Dimension "C" mm
T2000/1	480	320	560
T2000/2	650	320	560
T2000/3	840	320	560







B.S.Export srl – Industrial Division

phone + 39 0522 515380 fax + 39 0522 515316 e-mail : industrial@bsexport.com web page : www.bsexport.com